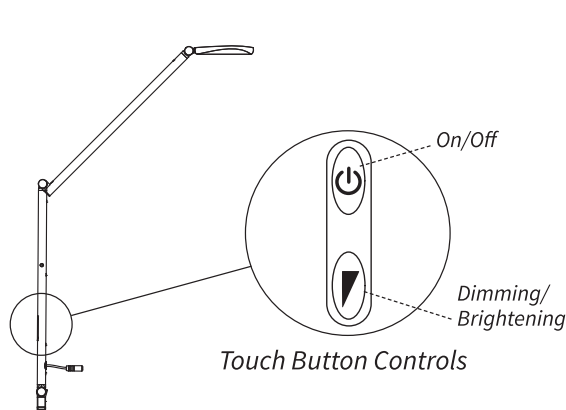
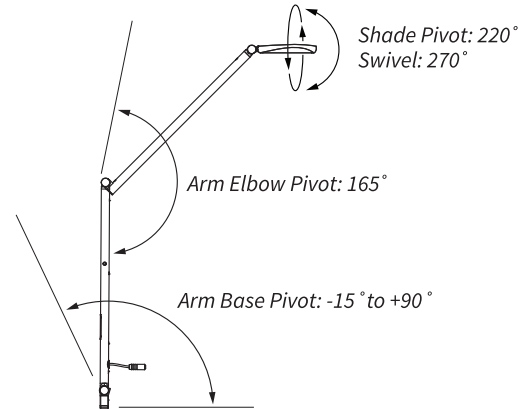


### User Controls



### Range of Motion



**On/Off:** Press and release the On/Off button once to turn on or off. Note: The lamp will return to the same brightness setting it was before being turned off.

**Dimming:** While the lamp is on, press & hold the dimmer button. Dimming will be continuous down to 5%.

**Brightening:** While lamp is on and dimmed to less than 100% brightness, double tap the dimming/brightening button. The lamp will return to full brightness.

### Auto Shut-Off Programming

**5 Hour Timer:** Turn the lamp On. Press & hold the On/Off button for 15 seconds. The light will emit a single flash to indicate the 5 hr Auto Shut-Off has been activated, then release the button.

**10 Hour Timer:** Turn the lamp On. Press & hold the On/Off button for 20 seconds. The light will emit a double flash to indicate the 10 hr Auto Shut-Off has been activated, then release the button.

**Disable Timer:** Turn the lamp On. Press & hold the On/Off button for 30 seconds. The light will emit a triple flash to indicate the Auto Shut-Off has been deactivated, then release the button.

**NOTE!** The auto Shut-Off Programming will be overridden when an optional Occupancy Sensor is in use.



### Parts & Support

Desk Light Table Base, Teardrop, Silver ..... LTG-TB-TD-S  
Two Piece Clamp, Silver ..... LTG-CCB-TP-S  
Tool Bar & Slatwall Mount, Silver ..... LTG-TSB-ADJ-S  
Astra 3 Occupancy Sensor, Silver ..... LTG-OCC-PVT-S  
Transformer ..... TR-12240500-A-SF3.5

Technical Support: Please call Workrite Technical Support while at the Workrite product.  
(800) 969-9675 option 2.

Warranty: Astra fixture, 5 years. Astra transformers, 3 year.